

[TopPage](#)>>[Search Result](#)>>7218BDT

Angular Contact Ball Bearings

Bearing No. : **NACHI 7218BDT**

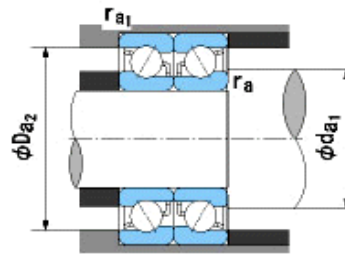
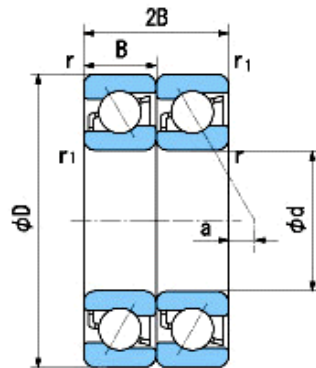
■ Bearing Type

■ Clearance

■ Tolerance Class

Dimensions

d = 90⁰_{-0.020}
 D = 160⁰_{-0.025}
 B = 30⁰_{0.000}
 r = 2~3.5
 (Radial Direction)
 r = 2~5
 (Axial Direction)
 r1 = 1~1.9
 (Radial Direction)
 r1 = 1~3
 (Axial Direction)
 a = 37.5



Dimensions

da1(min) = 100
 da2(min) = 96
 Da1(max) = 150
 Da2(max) = 154
 ra(max) = 2
 ra1(max) = 1
 Mass = 4.6 kg

Basic Dynamic Load Rating Cr : **179,000** N

Basic Static Load Rating Cor : **194,000** N

Limiting Speed ;

Grease Lubrication : **2,500** min⁻¹

Oil Lubrication : **3,400** min⁻¹

	INNER RING	OUTER RING
O.D.Surface Runout with Side :		-
Axial Runout with Bore :	-	-
Axial Runout with Raceway :	-	-
Width Variation :	0.025	0.025
Radial Runout :	0.025	0.045